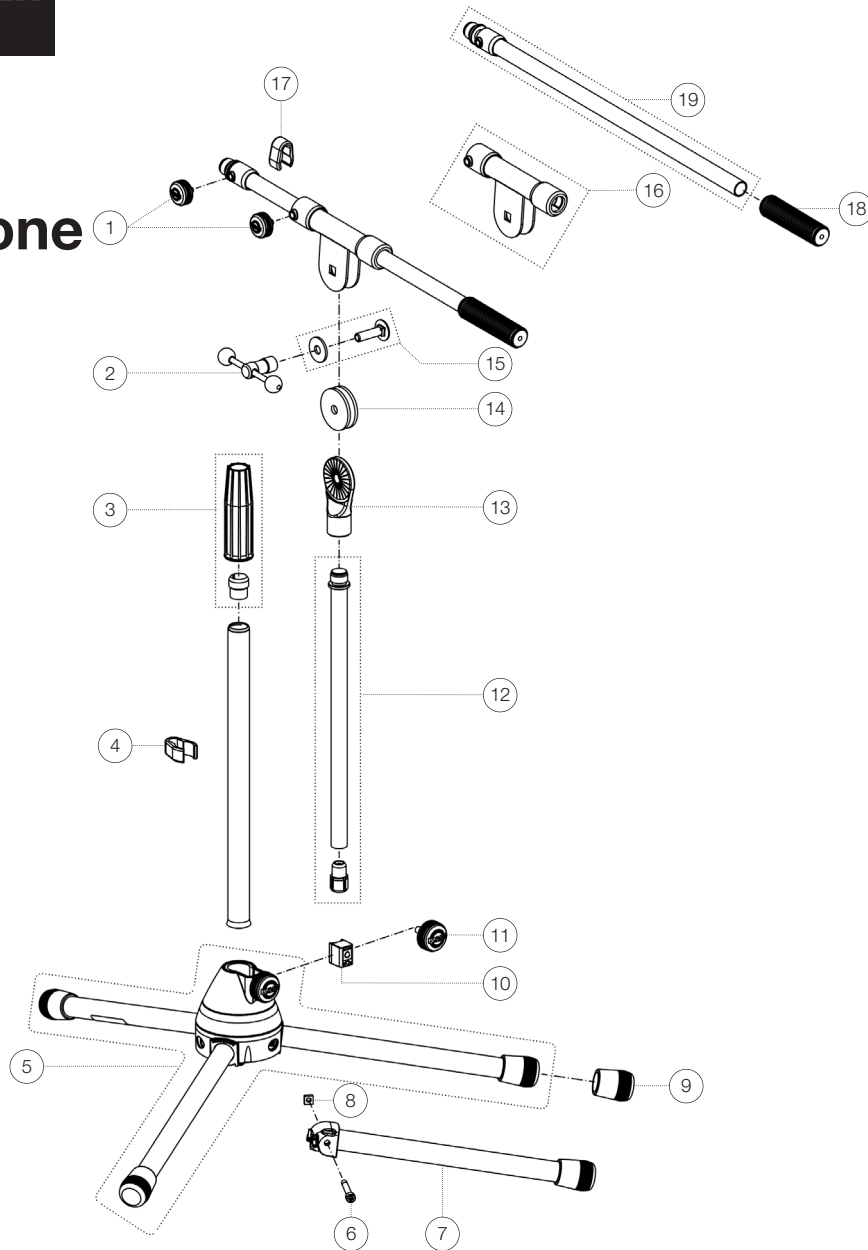


Spare parts list

# 259 Microphone stand

25900-500-55 - black

\*Rev07



Position	Description	Article No.	Quantity
1	Knurled screw with logo M6 x 12 mm	01-82-828-55	2
2	T-bar locking screw	6-30351-1-55	1
3	Clutch with tension ring	3-00-000-018	1
4	Cable holder ø 20 mm	01-85-970-55	1
5	Base with legs	3-00-000-025	1
6	Cylinder head screw M5 x 36 mm	03-02-176-29	3
7	Foot tube complete	6-82723-1-55	3
8	Square nut M5	03-08-210-29	3
9	End cap	01-84-882-55	3
10	Clamping piece with pin R10 complete	6-86642-1-55	1
11	Knurled screw with logo M6 x 16 mm	01-82-948-55	1
12	Extension tube, plastic stop and threaded bolt	3-00-000-031	1
13	Swivel head 5/8"	02-40-440-55	1
14	Rubber washer	03-21-161-55	2
15	Screw connection boom arm	3-00-000-019	1
16	Swivel joint complete	6-21110-5-55	1
17	Cable holder ø 15 mm	01-85-960-55	1
18	Boom arm sleeve	01-95-845-55	1
19	Tube combination	3-00-000-145	1