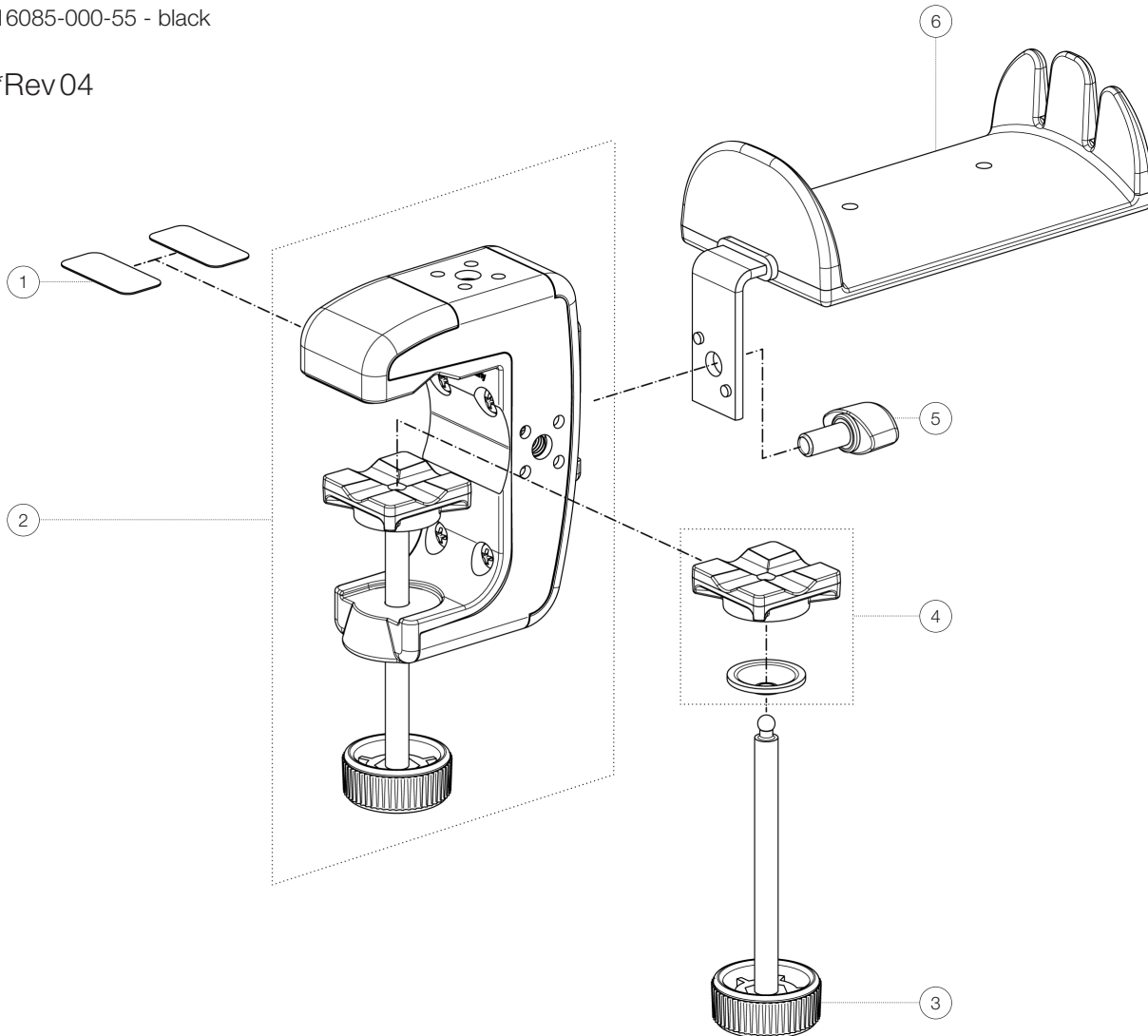


Spare parts list

16085 Headphone holder with table clamp

16085-000-55 - black

*Rev04



Position	Description	Article No.	Quantity
1	Rubber spacer 28 x 13 x 0.36 mm	03-21-892-00	2
2	Table clamp complete	6-11510-1-55	1
3	Knurled knob M6 x 72 mm	01-82-971-55	1
4	Protective cap and pressure plate	3-00-000-001	1
5	Clamping screw M6 x 13 mm	01-81-308-55	1
6	Support tray with mounting bracket	6-16085-1-55	1