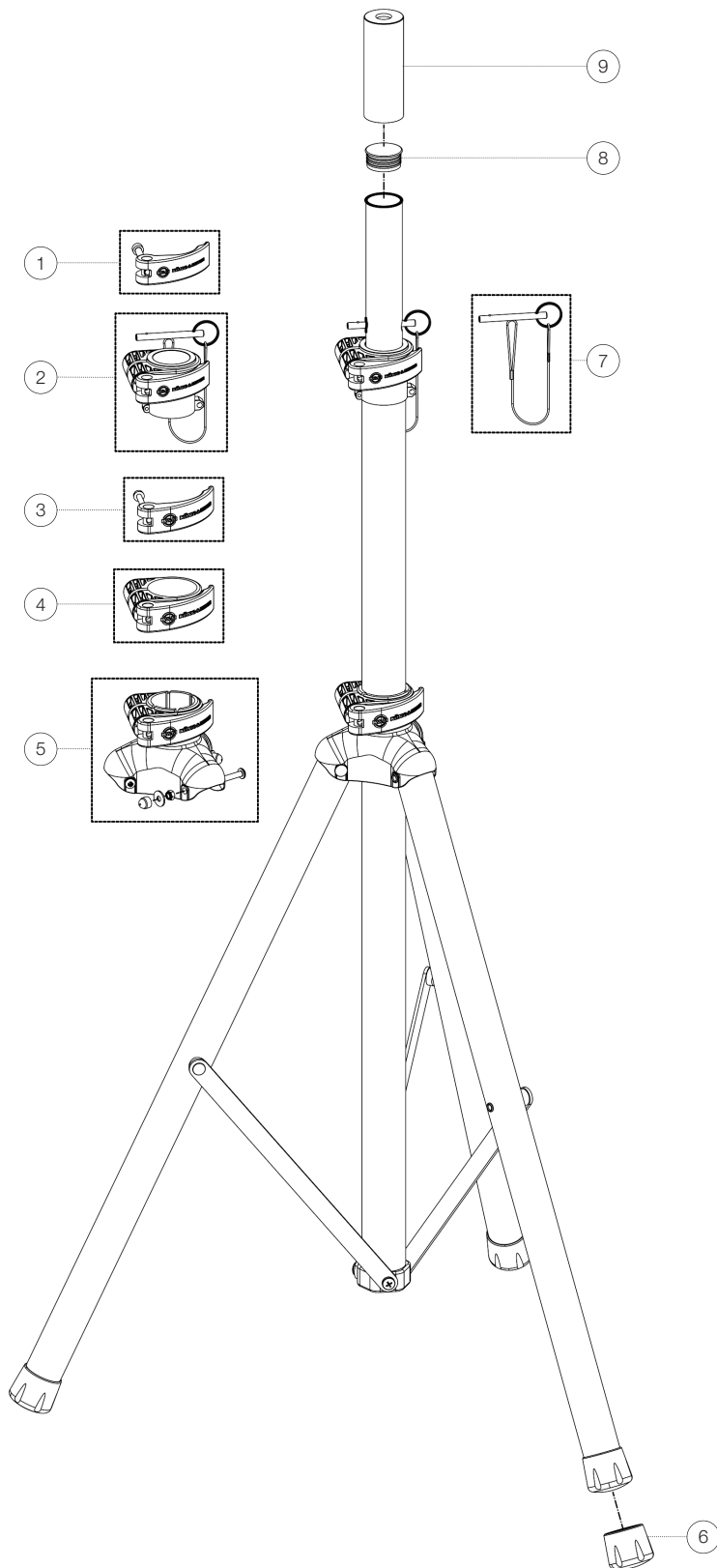


Spare parts list

# 21450 Speaker stand

21450-000-30 - anodized aluminum

\*Rev01



Position	Description	Article No.	Quantity
1	Clamping lever with screw M6 x 55 mm	3-00-000-143	1
2	Upper clamp with locking pin, cord and ring complete	3-21450-0004	1
3	Clamping lever large with screw M6 x 63 mm	3-21450-0003	1
4	Clamping ring complete	3-21450-0008	1
5	Clamp large complete with 3 screws	3-21450-0009	1
6	End cap	3-21450-0002	3
7	Safety pin with cord and ring	03-22-674-00	1
8	End cap for extension tube	3-21450-0005	1
9	Adapter sleeve	21326-000-55	1