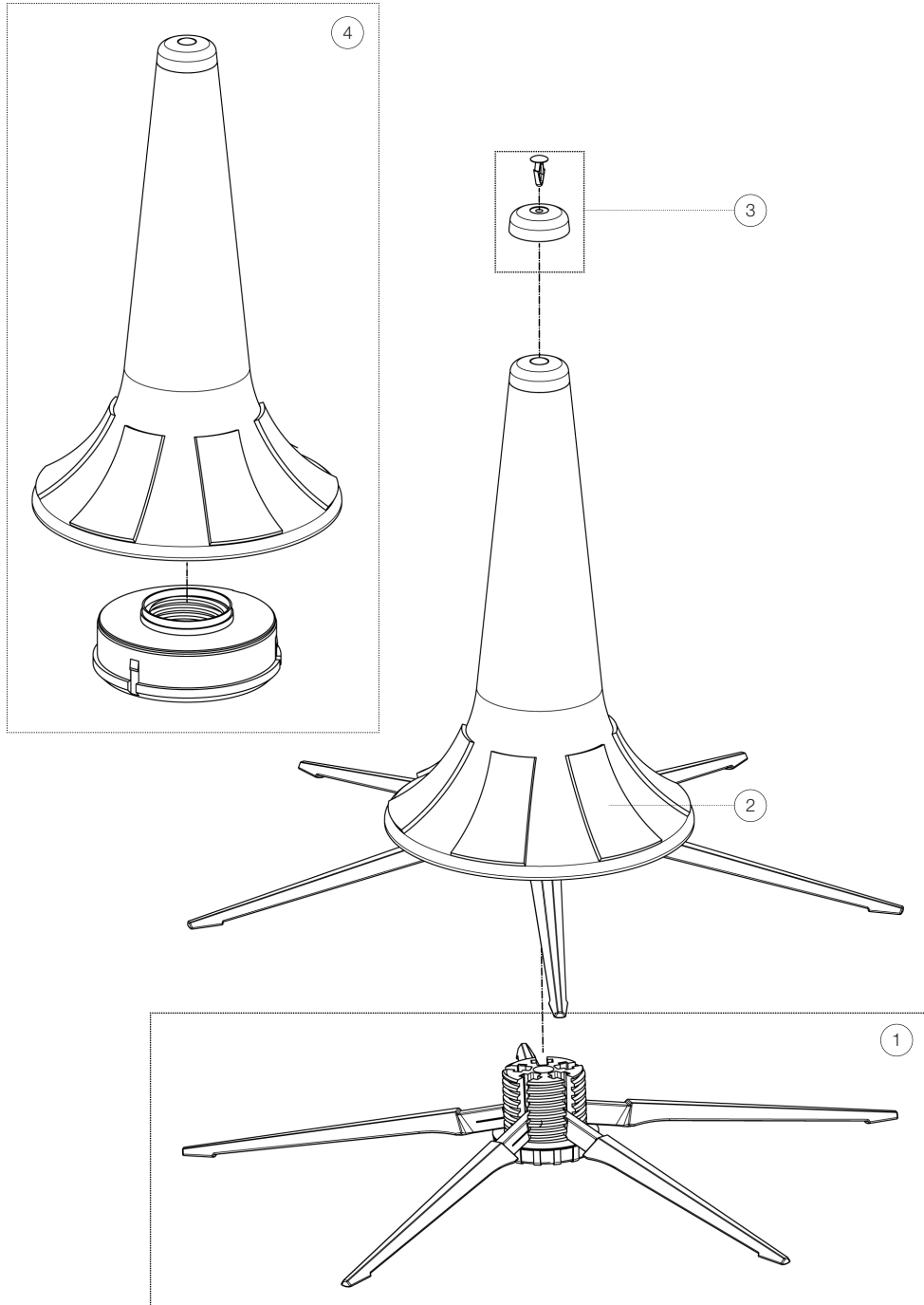


Spare parts list

# 15240 Flugelhorn stand

15240-000-55 - black

\*Rev 02



| Position | Description                  | Article No.  | Quantity |
|----------|------------------------------|--------------|----------|
| 1        | Base complete                | 3-00-000-165 | 1        |
| 2        | Felt pad 36/21 x 52 x 2 mm   | 03-21-573-55 | 6        |
| 3        | Protective cap and dowel pin | 3-00-000-166 | 1        |
| 4        | Flugelhorn peg with bushing  | 3-00-000-164 | 1        |