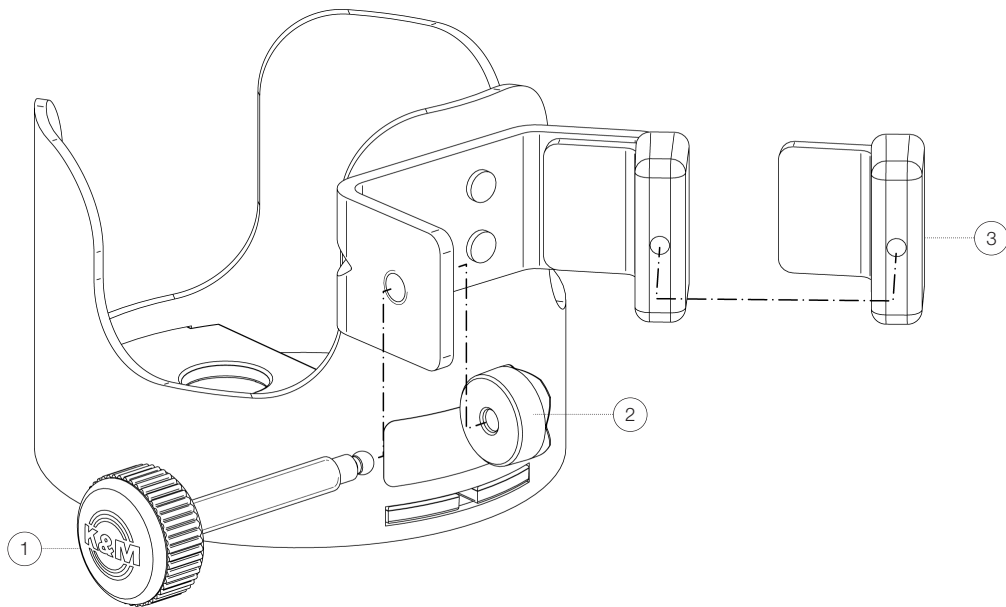


Spare parts list

16018 Drink holder

16018-000-55 - black

*Rev01



Position	Description	Article No.	Quantity
1	Knurled screw M6 x 50 mm	01-82-869-55	1
2	Ball pressure piece	01-86-865-55	1
3	Protective cap for clamping prism	01-87-161-55	1