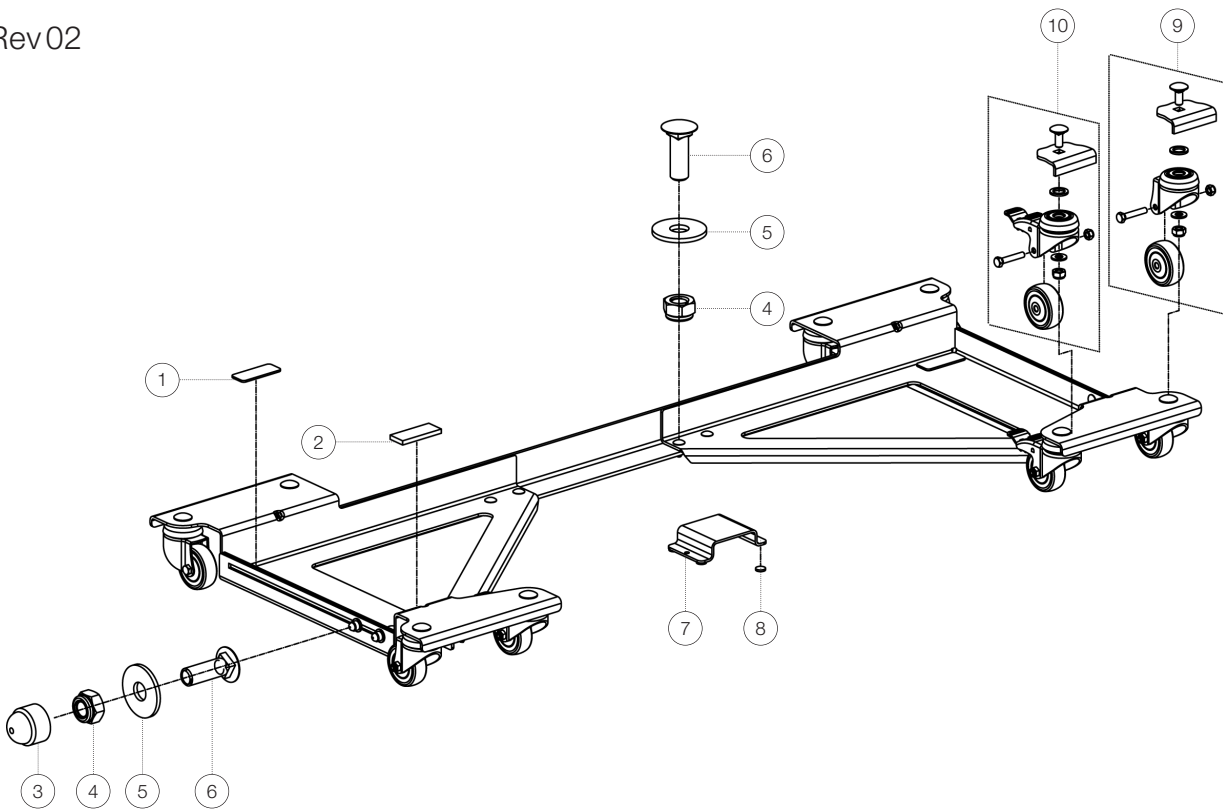


Spare parts list

# 18804 Trolley for digital upright pianos

18804-000-55 - black

\*Rev02



Position	Description	Article No.	Quantity
1	Felt pad 55 x 22 x 2 mm	03-21-620-55	4
2	Felt pad 55 x 22 x 5 mm	03-21-625-55	2
3	Protective cap M5	03-20-405-55	4
4	Locking nut M5	03-08-240-29	10
5	Washer ø 5.3 mm	03-11-330-25	10
6	Carriage bolt M5 x 16 mm	03-07-126-29	10
7	Pedal support	02-50-462-55	1
8	Felt pad ø 11 x 2 mm	03-21-754-55	4
9	Swivel castor without brake	3-00-000-168	6
10	Swivel castor with brake	3-00-000-167	2