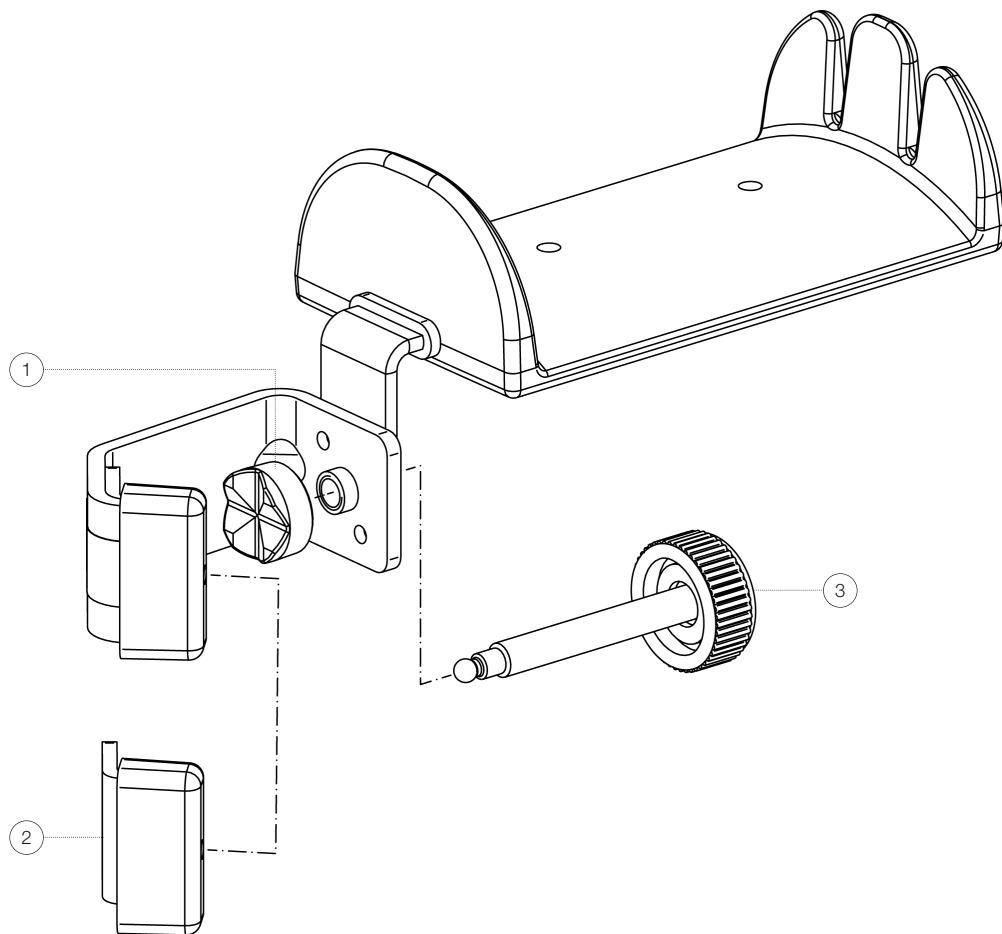


Spare parts list

# 16080 Headphone holder

16080-000-55 - black

\*Rev03



Position	Description	Article No.	Quantity
1	Ball pressure piece	01-86-865-55	1
2	Protective cap for clamping prism	01-87-161-55	1
3	Knurled screw M6 x 50 mm	01-82-869-55	1