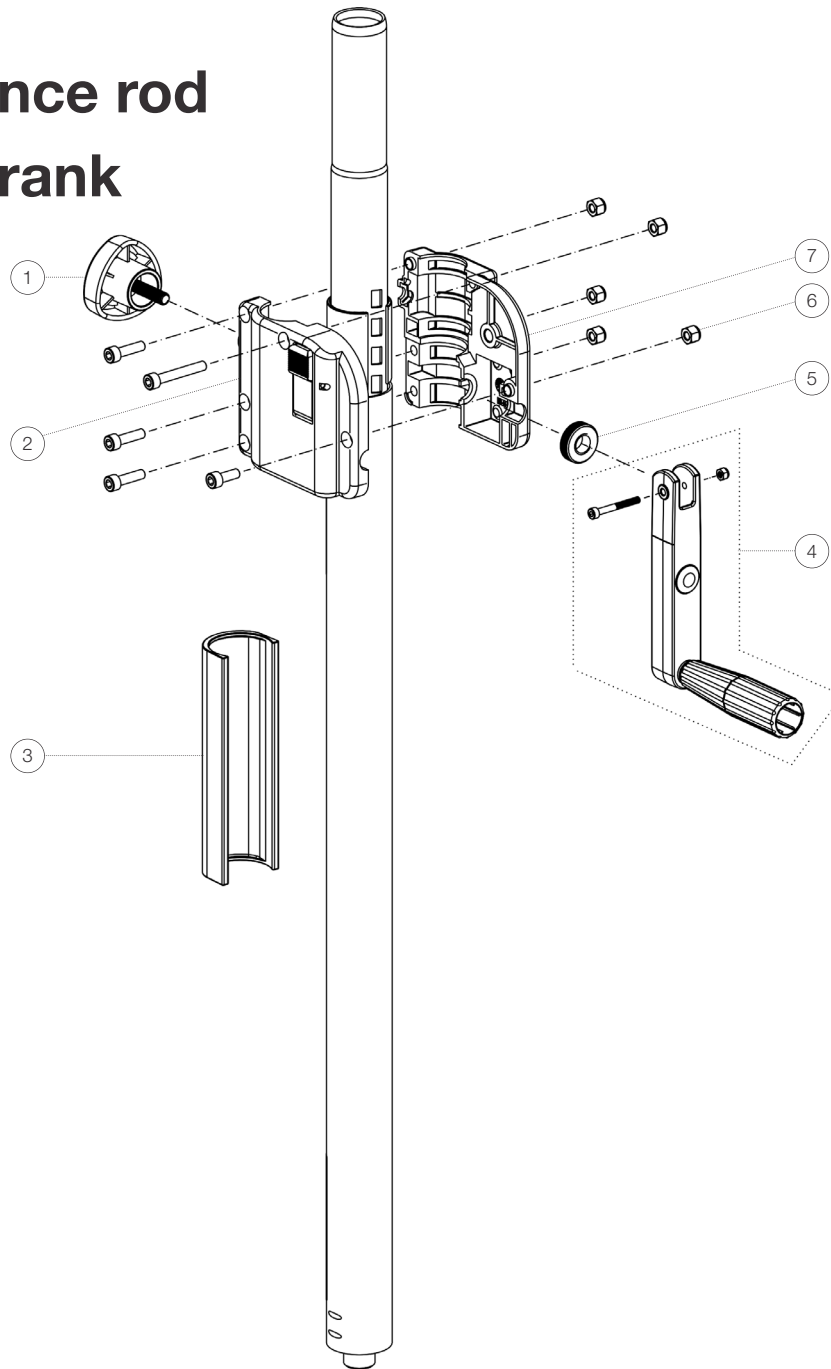


Spare parts list

21339 Distance rod with hand crank

21339-000-55 - black

*Rev05



| Position | Description | Article No. | Quantity |
|----------|--|---------------|----------|
| 1 | Clamping screw with logo M8 x 16/33 mm | 01-82-763-55 | 1 |
| 2 | Housing half shell left complete | 6-21300-13-55 | 1 |
| 3 | Clamp collar | 01-86-931-55 | 1 |
| 4 | Hand crank complete | 21303-000-55 | 1 |
| 5 | Clamping disk | 01-06-450-25 | 1 |
| 6 | Screws/nuts M6 on crankcase | 3-00-000-015 | 1 |
| 7 | Housing half shell right | 02-41-752-55 | 1 |