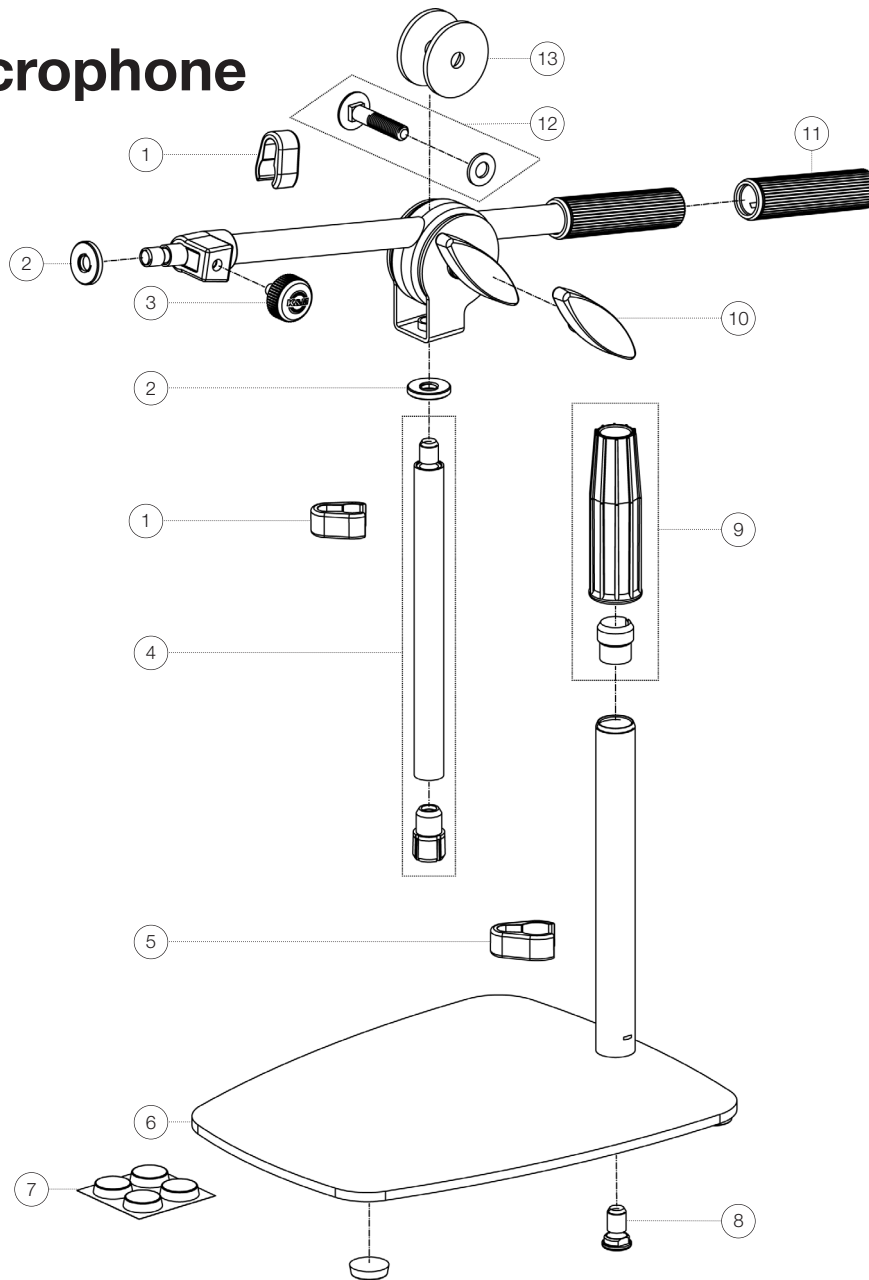


Spare parts list

25993 Microphone stand

25993-300-55 - black

*Rev04



Position	Description	Article No.	Quantity
1	Cable holder ø 15 mm	01-85-960-55	2
2	Aluminum knurled washer 3/8"	03-31-550-15	2
3	Knurled screw with logo M6 x 16 mm	01-82-834-55	1
4	Extension rod, plastic stop and threaded bolt 3/8"	3-00-000-130	1
5	Cable holder ø 20 mm	01-85-970-55	1
6	Base plate	02-55-548-55	1
7	Bump on ø 20 x 5 mm (4 pieces)	01-09-019-55	1
8	Threaded bolt 3/8"	01-04-434-29	1
9	Clutch with tension ring	3-00-000-018	1
10	Locking nut M8	01-83-981-55	1
11	Boom arm sleeve	01-95-845-55	1
12	Screw connection	3-00-000-131	1
13	Rubber washer	03-21-161-55	2