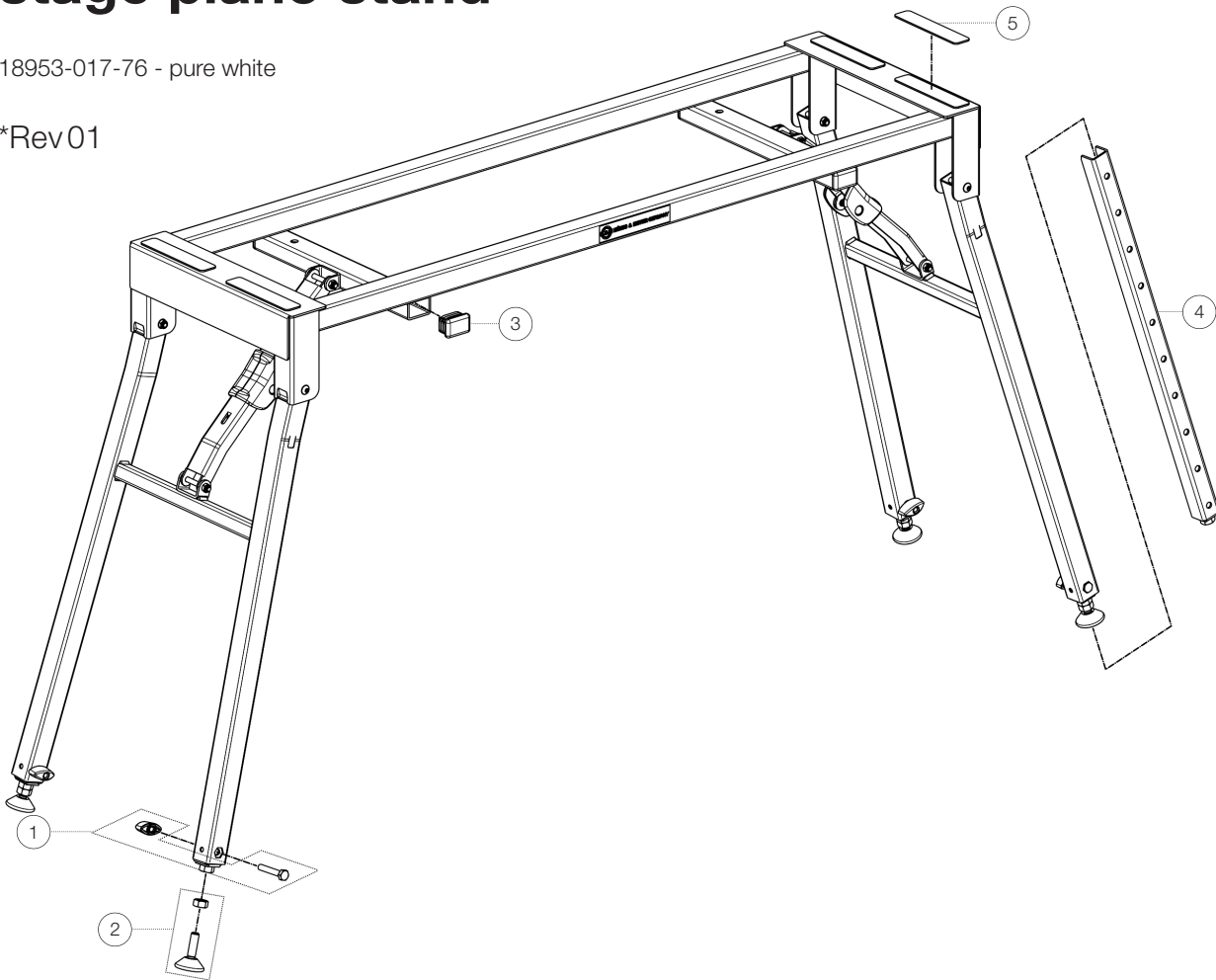


Spare parts list

# 18953 Table-style stage piano stand

18953-017-76 - pure white

\*Rev01



Position	Description	Article No.	Quantity
1	Screw connection	3-00-000-132	4
2	Adjusting plate with nut	3-00-000-133	4
3	Plastic glide 30 x 20 mm	03-20-781-55	4
4	U-height adjustment complete	5-18950-13-76	4
5	Rubber spacer 100 x 20 x 1.5 mm	03-21-930-55	4