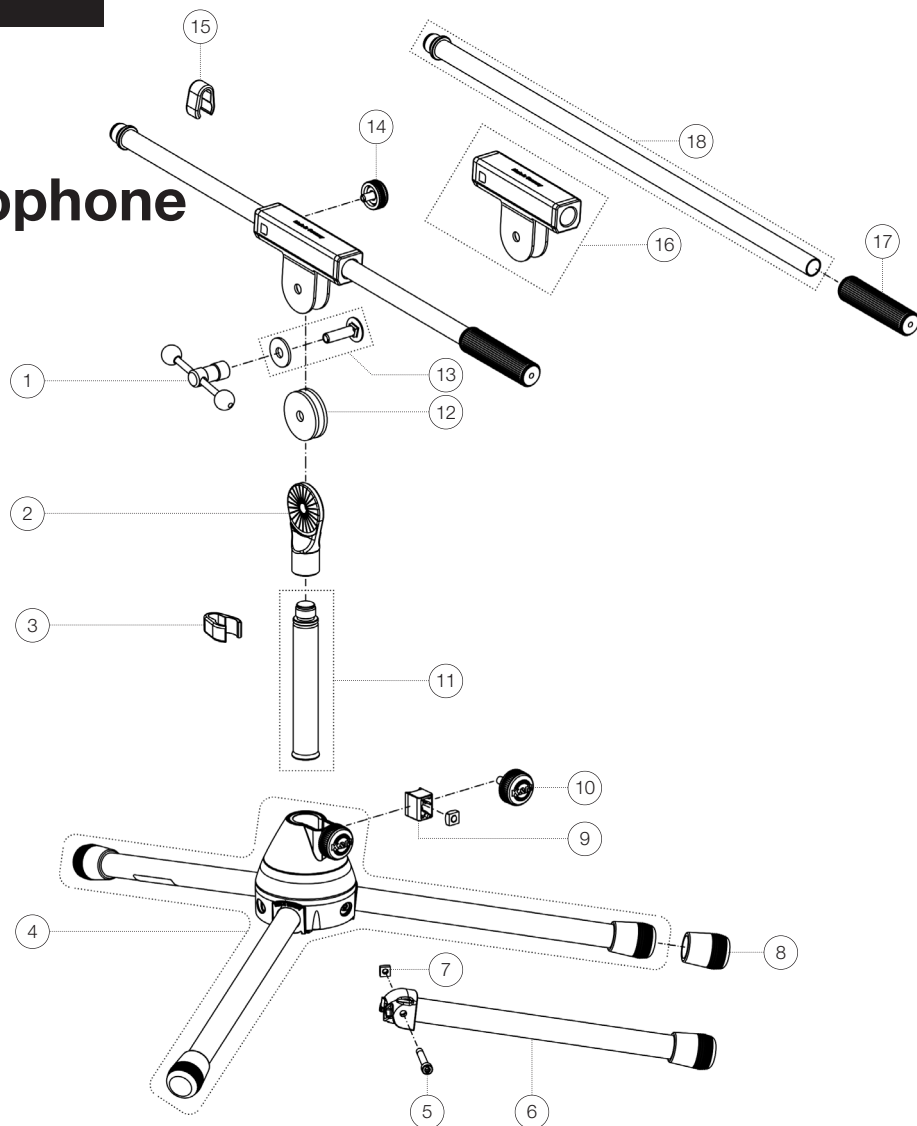


Spare parts list

259/1 Microphone stand

25910-500-55 - black

*Rev08



Position	Description	Article No.	Quantity
1	T-bar locking screw	6-30351-1-55	1
2	Swivel head 5/8"	02-40-440-55	1
3	Cable holder ø 20 mm	01-85-970-55	1
4	Base with legs	3-00-000-025	1
5	Cylinder head screw M5 x 36 mm	03-02-176-29	3
6	Foot tube complete	6-82723-1-55	3
7	Square nut M5	03-08-210-29	3
8	End cap	01-84-883-55	3
9	Clamping piece with pin R10 complete	6-86642-1-55	1
10	Knurled screw with logo M6 x 16 mm	01-82-948-55	1
11	Stud bolt with threaded bolt 5/8" complete	6-25910-5-55	1
12	Rubber washer	03-21-161-55	2
13	Screw connection boom arm	3-00-000-019	1
14	Knurled screw with logo M6 x 12 mm	01-82-828-55	2
15	Cable holder ø 15 mm	01-85-960-55	1
16	Swivel joint complete	6-27105-1-55	1
17	Boom arm sleeve	01-95-845-55	1
18	Boom arm tube with threaded bolt 5/8"	3-00-000-151	1