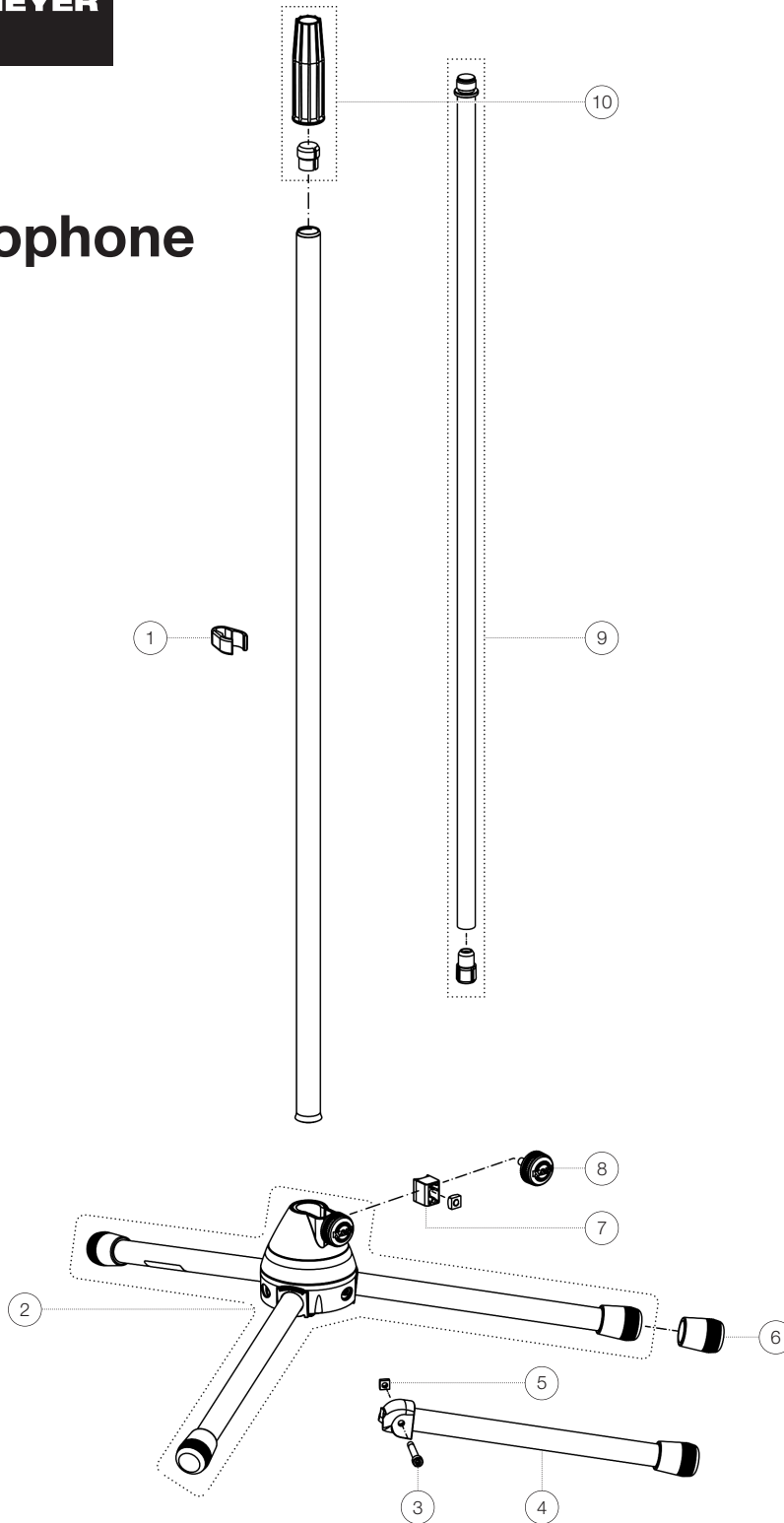


Spare parts list

201/2 Microphone stand

20120-500-55 - black

*Rev06



| Position | Description | Article No. | Quantity |
|----------|---|--------------|----------|
| 1 | Cable holder | 01-85-970-55 | 1 |
| 2 | Base with legs | 3-00-000-025 | 1 |
| 3 | Cylinder head screw M5 x 36 mm | 03-02-176-29 | 3 |
| 4 | Foot tube complete | 6-82723-1-55 | 3 |
| 5 | Square nut M5 | 03-08-210-29 | 3 |
| 6 | End cap | 01-84-882-55 | 3 |
| 7 | Clamping piece with pin R10 complete | 6-86642-1-55 | 1 |
| 8 | Knurled screw with logo M6 x 16 mm | 01-82-948-55 | 1 |
| 9 | Extension rod, plastic stop and threaded bolt | 3-00-000-024 | 1 |
| 10 | Clutch with tension ring | 3-00-000-018 | 1 |