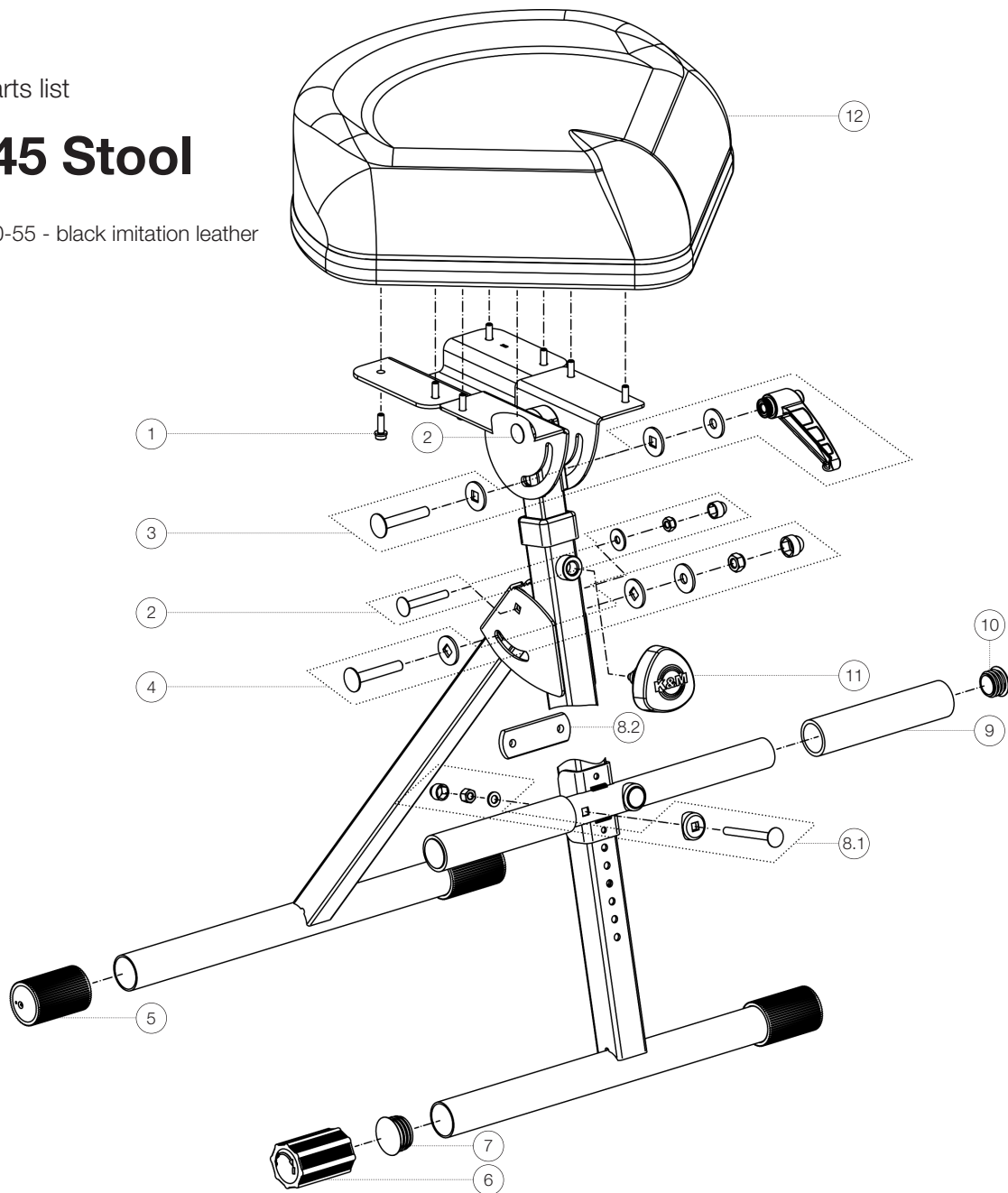


Spare parts list

# 14045 Stool

14045-000-55 - black imitation leather

\*Rev 05



Position	Description	Article No.	Quantity
1	Allen screw M5 x 16 mm	03-02-145-29	8
2	Screw connection	3-00-000-105	2
3	Screw connection with square hole washer and clamping lever	3-00-000-106	1
4	Screw connection with square hole washer	3-00-000-104	1
5	End cap with grooves	01-84-760-55	3
6	Adjustable end cap	01-84-768-55	1
7	Glider ø 27 mm	03-20-670-55	1
8	Accessories bag, consisting of:	6-14045-1-00	1
8.1	Screw connection with saddle washer	3-00-000-103	2
8.2	Clamping bracket	01-26-022-55	1
9	Soft grip sleeve	03-22-265-55	2
10	Glider ø 22 mm	03-20-680-55	2
11	Spring-loaded clamping knob complete with logo	6-18810-2-55	1
12	Upholstery seat	03-55-650-55	1