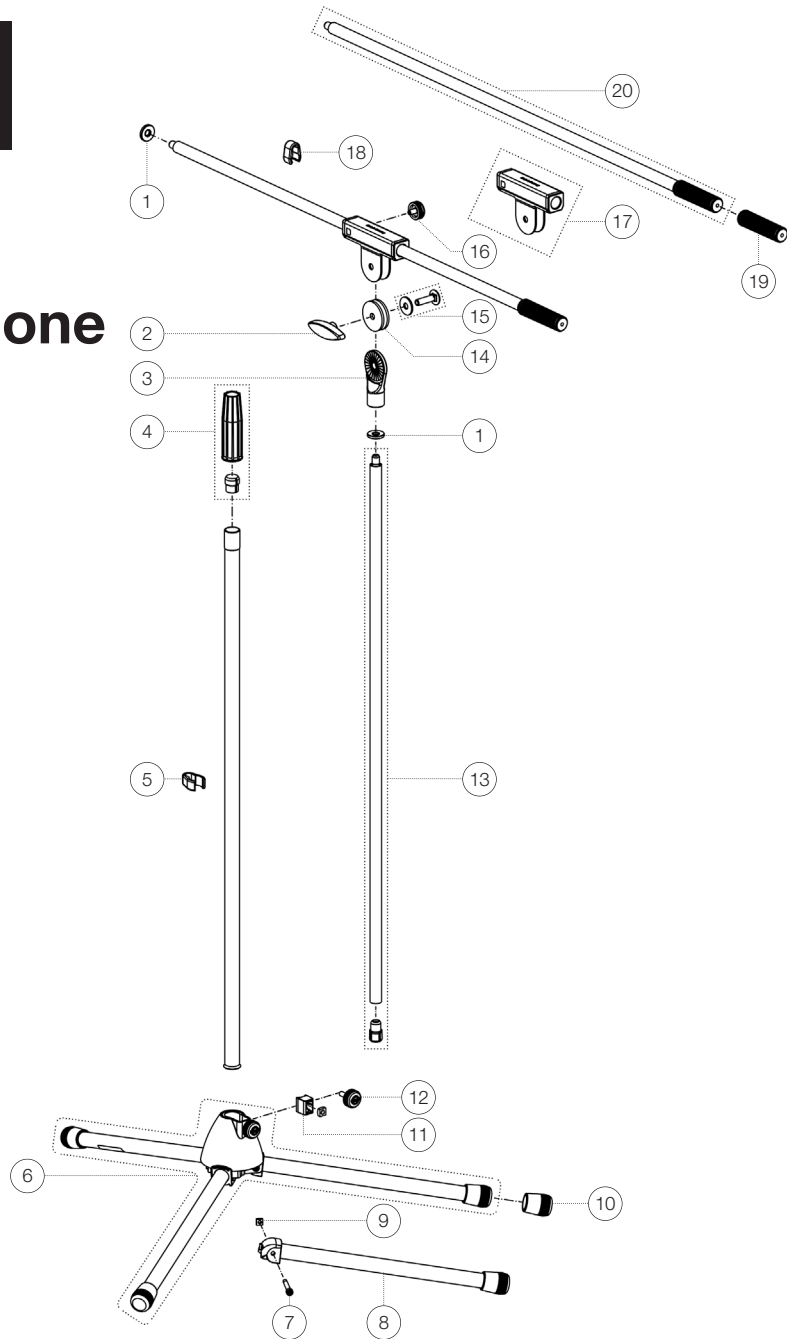


Spare parts list

21070 Microphone stand

21070-300-55 - black

*Rev06



| Position | Description | Article No. | Quantity |
|----------|---|--------------|----------|
| 1 | Aluminum knurled washer | 03-31-550-15 | 2 |
| 2 | Clamping nut M8 | 01-83-981-55 | 1 |
| 3 | Swivel head 3/8" | 02-40-430-55 | 1 |
| 4 | Clutch with tension ring | 3-00-000-018 | 1 |
| 5 | Cable holder ø 20 mm | 01-85-970-55 | 1 |
| 6 | Base with legs | 3-00-000-035 | 1 |
| 7 | Cylinder head screw M5 x 36 mm | 03-02-176-29 | 3 |
| 8 | Foot tube complete | 6-82730-1-55 | 3 |
| 9 | Square nut M5 | 03-08-210-29 | 3 |
| 10 | End cap | 01-84-882-55 | 3 |
| 11 | Clamping piece with pin R10 complete | 6-86642-1-55 | 1 |
| 12 | Knurled screw with logo M6 x 22 mm | 01-82-838-55 | 1 |
| 13 | Extension tube, plastic stop and threaded bolt | 6-21020-1-55 | 1 |
| 14 | Rubber washer | 03-21-161-55 | 2 |
| 15 | Screw connection boom arm | 3-00-000-019 | 1 |
| 16 | Knurled screw with logo M6 x 12 mm | 01-82-828-55 | 1 |
| 17 | Swivel joint complete | 6-27105-1-55 | 1 |
| 18 | Cable holder ø 15 mm | 01-85-960-55 | 1 |
| 19 | Boom arm sleeve | 01-95-845-55 | 1 |
| 20 | Extension tube with boom arm sleeve and threaded bolt | 6-21020-2-55 | 1 |