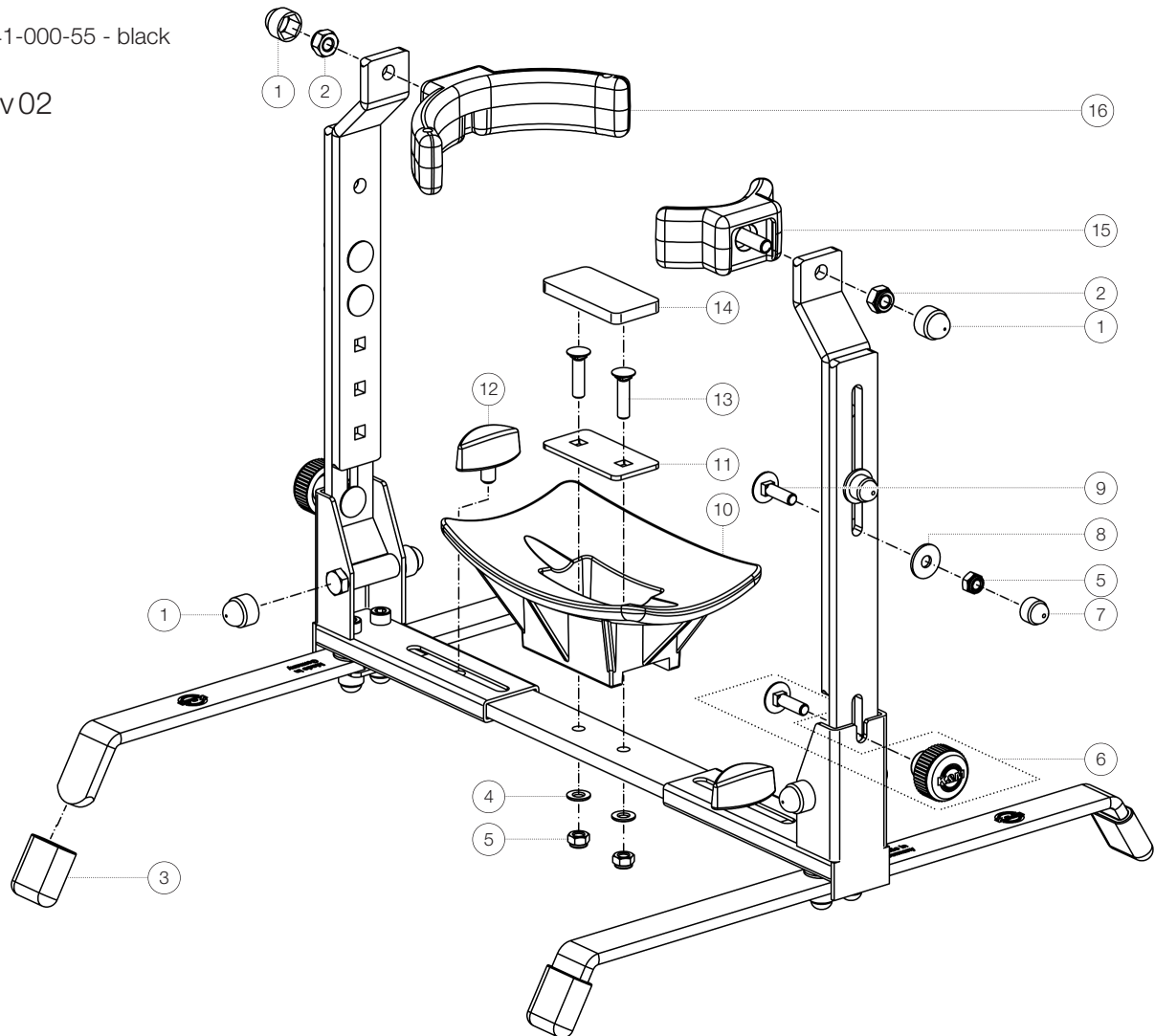


Spare parts list

14941 Baritone stand

14941-000-55 - black

*Rev 02



Position	Description	Article No.	Quantity
1	Protective cap M6	03-20-410-55	6
2	Locking nut M6	03-08-340-29	4
3	End cap	01-94-700-55	4
4	Washer ø 5,3 mm	03-11-310-25	2
5	Locking nut M5	03-08-240-29	10
6	Screw connection	3-00-000-100	2
7	Protective cap M5	03-20-405-55	8
8	Washer ø 5,3 mm	03-11-330-25	4
9	Carriage bolt M5 x 18 mm	03-07-128-25	6
10	Tuba support	01-89-095-55	1
11	Reinforcement plate	02-50-282-55	1
12	Clamping screw M6 x 12 mm	01-83-040-55	2
13	Carriage bolt M5 x 20 mm	03-07-130-29	2
14	Polyethylene foam self-adhesive 50 x 25 x 5 mm	03-21-590-55	1
15	Covered support bracket "small"	6-14941-1-55	1
16	Covered support bracket "medium"	6-14940-1-55	1