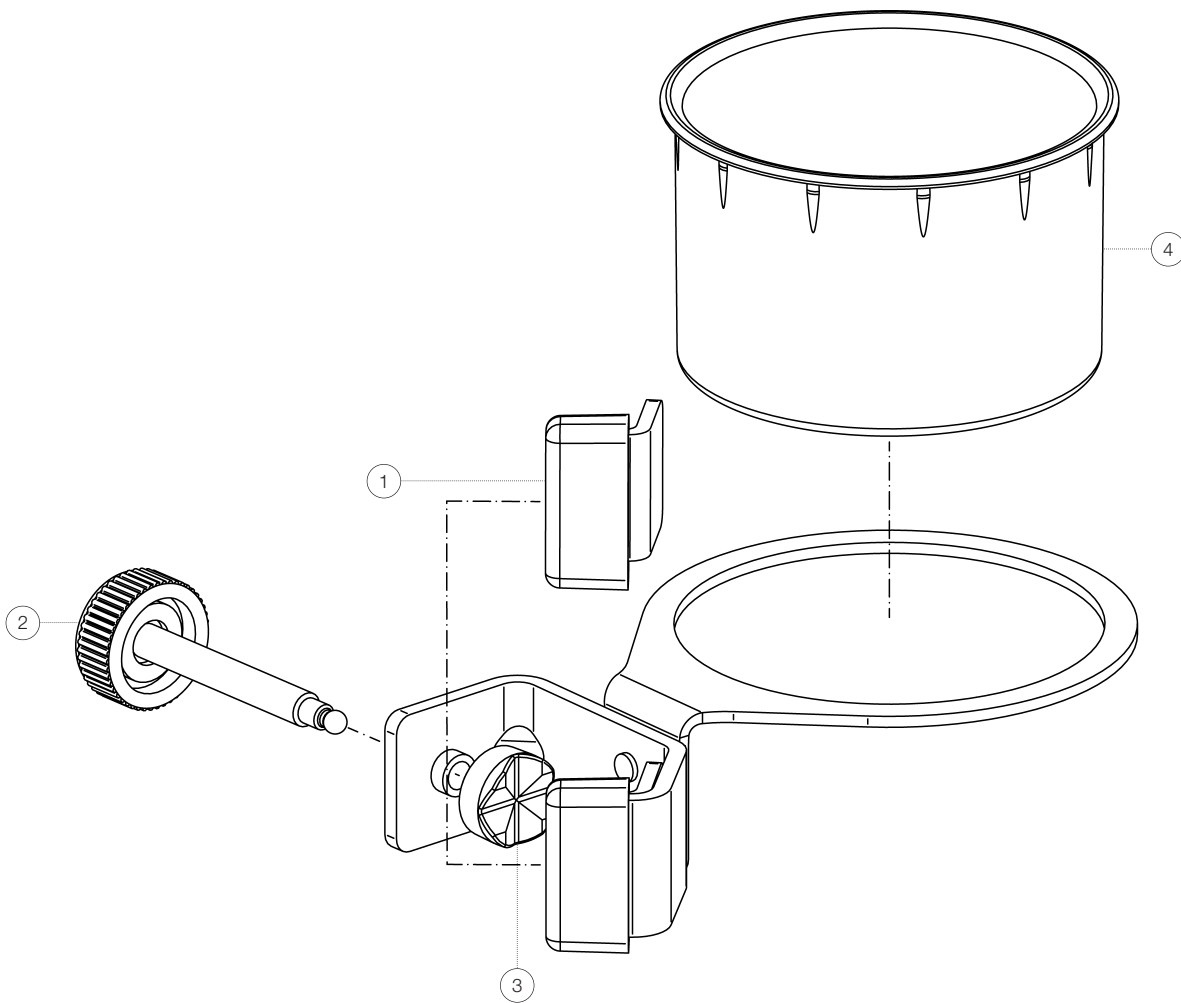


Spare parts list

16024 Can holder

16024-000-55 - black

*Rev03



Position	Description	Article No.	Quantity
1	Protective cap for clamping prism	01-87-161-55	1
2	Knurled screw M6 x 50 mm	01-82-869-55	1
3	Ball pressure piece	01-86-865-55	1
4	Can holder	01-87-415-55	1