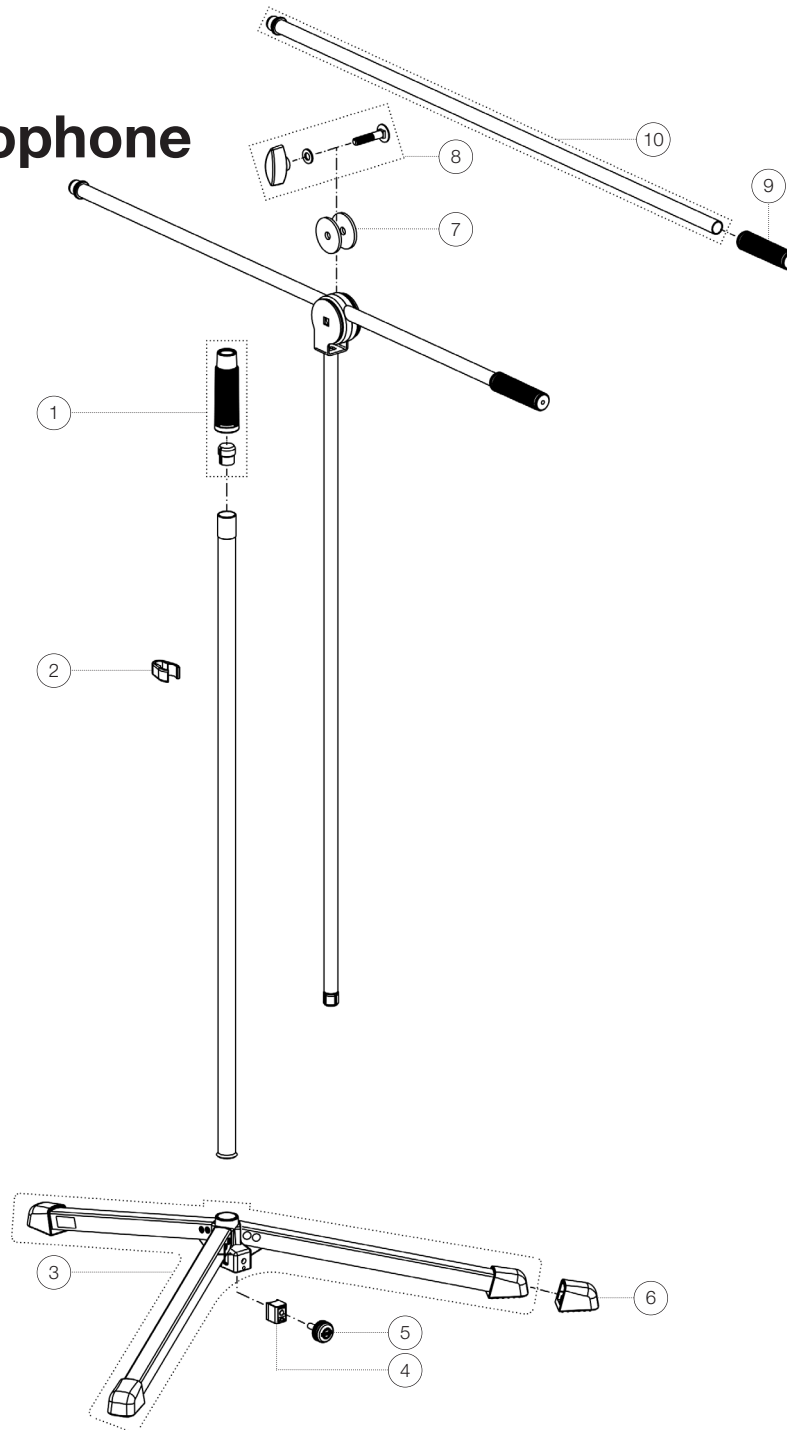


Spare parts list

# 25400 Microphone stand

25400-500-55 - black

\*Rev04



Position	Description	Article No.	Quantity
1	Clutch with tension ring	3-00-000-037	1
2	Cable holder ø 20 mm	01-85-970-55	1
3	Base complete	6-25400-2-55	1
4	Clamping piece with pin R 10 complete	6-86642-1-55	1
5	Knurled screw with logo M6 x 22 mm	01-82-838-55	1
6	End cap	01-84-875-55	3
7	Rubber washer	03-21-161-55	2
8	Screw connection boom arm	3-00-000-090	1
9	Boom arm sleeve	01-95-845-55	1
10	Boom arm tube with threaded bolt	3-00-000-152	1